

# SPECIFICATION FOR APPROVAL

REF :

PAGE: 1

PROD. NAME	BEAD COIL	ABC'S DWG NO.	BD□□□□□□□□Lo
		ABC'S ITEM NO.	

**I . CONFIGURATION & DIMENSIONS :**

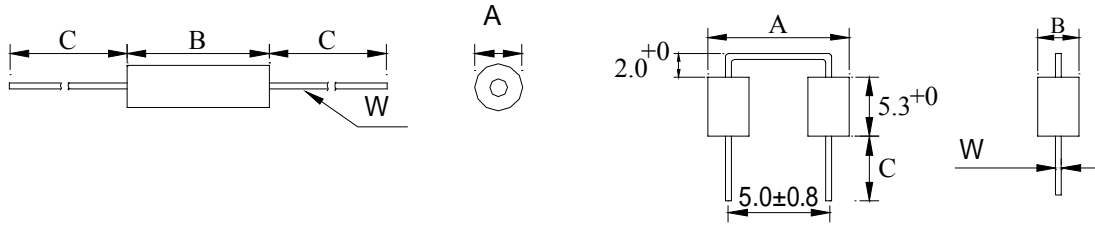


Fig : A

Fig : B

**II . MATERIALS :**

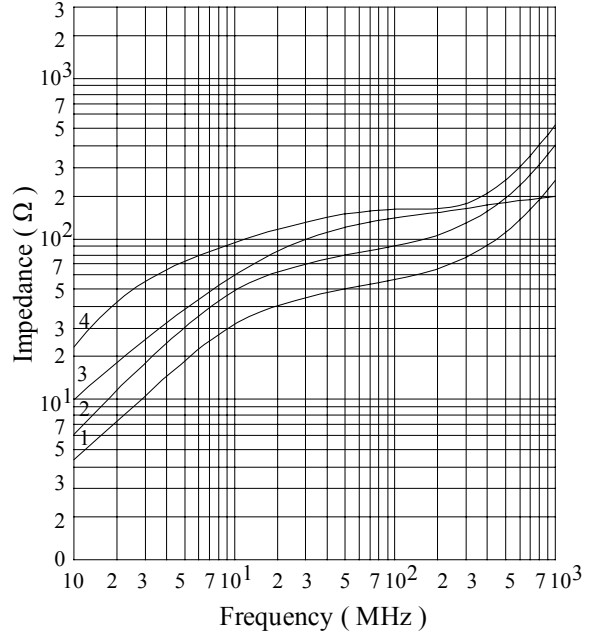
- a . Core : Ferrite RH core
- b . Lead wire : Tinned copper wire (100% Sn)
- c . Remark : lead content 200ppm max. include ferrite

**III . GENERAL SPECIFICATION :**

- a . Operating temp. : -25°C ---- +105°C
- b . Storage temp. : -40°C ---- +125°C

1. BDC0305-450Y/ 100MHz
2. BDC0306-600Y/ 100MHz
3. BDC0309-800Y/ 100MHz
4. BDC0907-111Y/ 100MHz

**V . IMPEDANCE VS. FREQUENCY RESPONSE CURVE :**



**IV . ELECTRICAL CHARACTERISTICS & DIMENSIONS :**

ABC'S Part No.	Impedance (Ω) min.	Test Freq. (MHz)	Dimension (m/m).				Fig.
			A m/m	B m/m	C m/m	W φ m/m	
BD0305450YL□	45	100	3.5±0.2	4.7±0.3	29.0±3.0	0.65 φ	A
BD0306600YL□	60	100	3.5±0.2	6.0±0.3	28.5±3.0	0.65 φ	A
BD0309800YL□	80	100	3.5±0.2	9.0±0.3	27.0±3.0	0.65 φ	A
BD0907111YL□	110	100	9.0 max.	3.8 max.	4.5±1.0	0.60 φ	B

- 1) □ : Packaging Information... [A] Bulk
- 2). Test equipment : RD impedance analyser HP4291A.
- 3). Test fixture : Spring clip fixture HP16092A.

AE-001A



# SPECIFICATION FOR APPROVAL

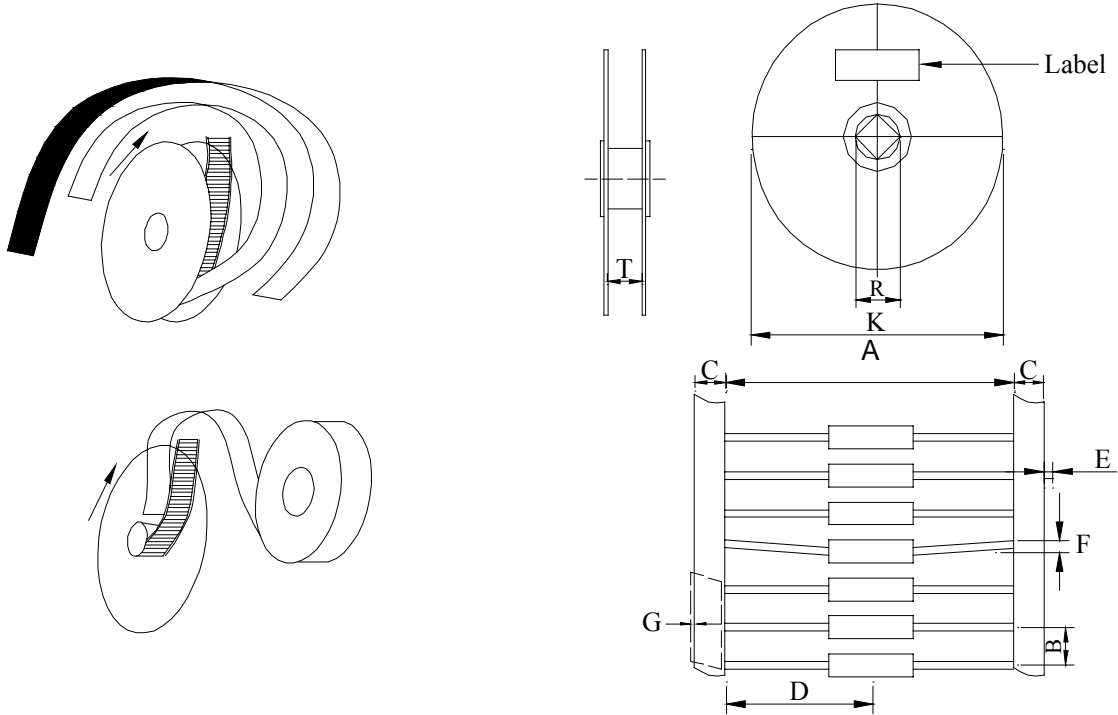
REF :

PAGE: 2

PROD. NAME	BEAD COIL	ABC'S DWG NO.	BD□□□□□□□□L□
		ABC'S ITEM NO.	

## VI . PACKAGING INFORMATION FOR BDC HORIZONTAL TAPING IN REEL

### ( 1 ) Configuration



### ( 2 ) Dimensions

Unit:m/m

Item	Specification	Item	Specification
A	52.00±1.50	F	1.00 ( max )
B	5.00±0.50	G	1.00 ( max )
C	6.00±1.00	K	355.00±0.50
D	26.00±1.50	R	15.00±0.50
E	0.00±0.50	T	71.00±3.00

### ( 3 ) Q'TY & G.W. Per package

Series	Inner : Reel			Outer : Carton		
	Q'TY (pcs)	G.W. (gw)	Size ( m/m )	Q'TY (pcs)	G.W. (Kg)	Size (cm)
BD0305	5,000	2,300	364 x 365 x 89	20,000	10	37.5 x 37.0 x 37.5
BD0306	5,000	2,700	364 x 365 x 89	20,000	10	37.5 x 37.0 x 37.5
BD0309	5,000	3,700	364 x 365 x 89	20,000	16.2	37.5 x 37.0 x 37.5

AE-001A

# SPECIFICATION FOR APPROVAL

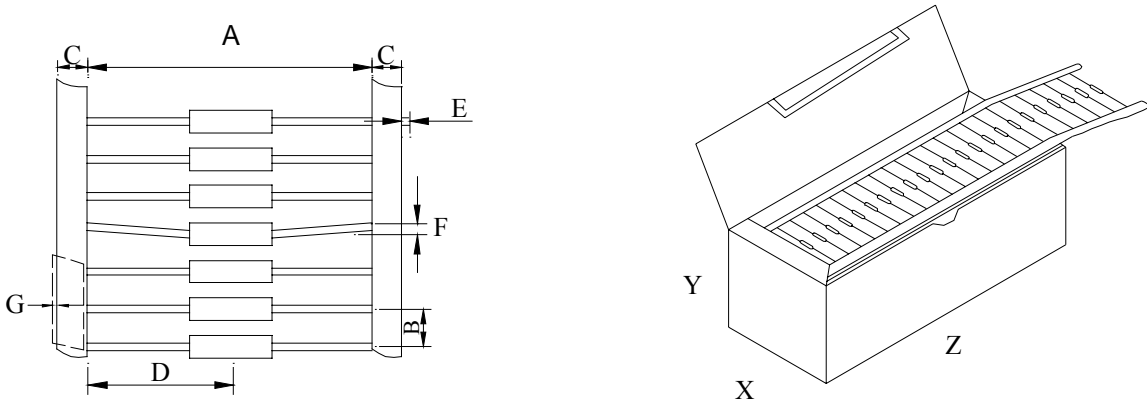
REF :

PAGE: 3

PROD. NAME	BEAD COIL	ABC'S DWG NO.	BD□□□□□□□□L□
		ABC'S ITEM NO.	

## VII . PACKAGING INFORMATION FOR BDC HORIZONTAL TAPING IN BOX

(1) Configuration



(2) Dimensions

Unit:m/m

Style	Item	Specification	Item	Specification
T 26	A	26.00±1.50	B	5.00±0.50
	D	13.00±0.50	C	6.00±1.00
	X	50.00±1.50	E	0.00±0.50
T 52	A	52.00±1.50	F	1.00 ( max )
	D	26.00±1.50	G	1.00 ( max )
	X	76.00±1.50		

(3) Q'TY & G.W. Per package

Serise	Inner : Box			Outer : Carton		
	Q'TY (pcs)	G.W. (gw)	Size ( m/m )	Q'TY (pcs)	G.W. (Kg)	Size (cm)
BDC0305	1,000	350	295 x 75 x 58	35,000	15.0	37.5 x 37.0 x 37.5
				12,000	8.5	
BDC0306	1,000	450	295 x 75 x 58	24,000	15.5	37.6 x 26.6 x 34.5
				18,000	12.0	
BDC0309	1,000	650	295 x 75 x 58	16,000	10.5	37.6 x 26.6 x 34.5
				24,000	16.5	

AE-001A



# SPECIFICATION FOR APPROVAL

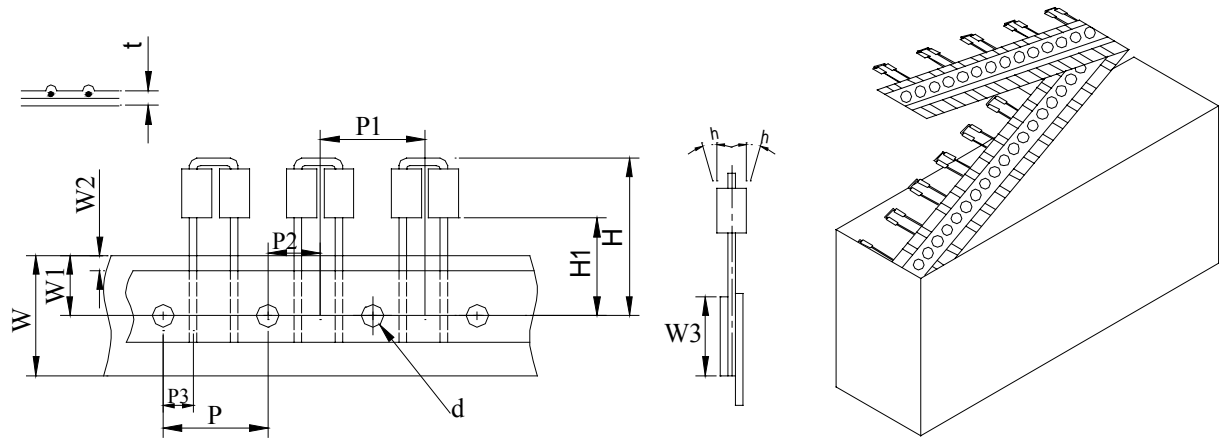
REF :

PAGE: 4

PROD. NAME	BEAD COIL	ABC'S DWG NO.	BD□□□□□□□□Lo
		ABC'S ITEM NO.	

## VIII . PACKAGING INFORMATION FOR BDC VERTICAL TAPING IN BOX

### (1) Configuration



### (2) Dimension

Unit:m/m

Item	Specification	Item	Specification
P	12.7 ±0.30	W3	11.0 max.
P1	12.7 ±1.00	H	27.0 max.
P2	6.35±1.00	H1	18.5±1.00
P3	3.85±0.70	△ h	0.0±2.00
W	18.0±0.50	t	0.7±0.20
W1	9.0±0.50	d	4.0±0.20
W2	2.0 max.		

### (3) Q'TY & G.W. Per package

Series	Inner : Box			Outer : Carton		
	Q'TY (pcs)	G.W. (gw)	Size ( m/m )	Q'TY (pcs)	G.W. (Kg)	Size (cm)
BDC0907	2,000	1,100	332 x 273 x 40	10,000	9.00	37.5 x 37.0 x 37.5

AE-001A

# SPECIFICATION FOR APPROVAL

REF :

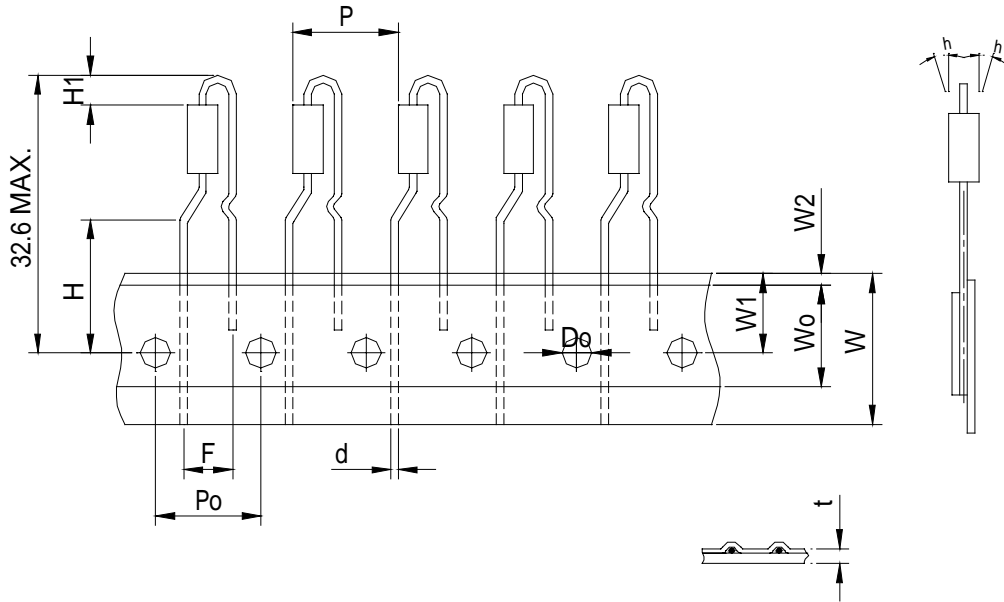
PAGE: 5

PROD. NAME	BEAD COIL	ABC'S DWG NO.	BD□□□□□□□□L□
		ABC'S ITEM NO.	

## VIII . PACKAGING INFORMATION FOR BDC VERTICAL TAPING IN BOX

( Packaging Code : F )

(1) Configuration



( 2 ) Dimension

Unit:m/m

Item	Specification	Item	Specification
P	12.70 ±1.00	H1	3.00 max.
Po	12.70 ±0.30	W	18.00 <sup>+0</sup> / <sub>-0.5</sub>
d	φ0.65 or ψ0.5	Wo	12.50 min.
F	5.00±0.80	W1	9.00±0.80
Do	φ4.00±0.30	W2	1.00 max.
H	16.00±1.00	t	0.70±0.30
△h	0.00±1.00		

AE-001A

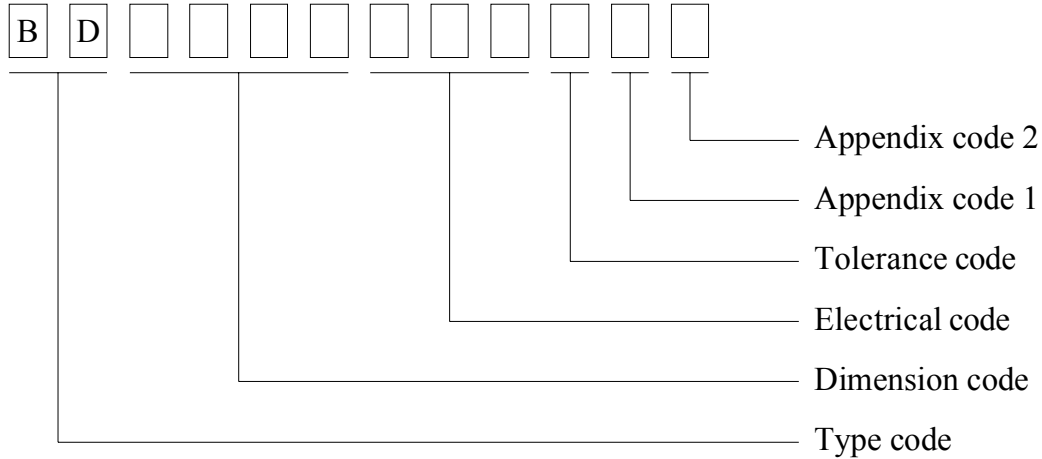
# SPECIFICATION FOR APPROVAL

REF :

PAGE: 6

PROD. NAME	BEAD COIL	ABC'S DWG NO.	BD□□□□□□□□L□
		ABC'S ITEM NO.	

**IX . DWG EXPRESSION :**



Appendix code 1 : S : Standard products

A~K , M~R , T~Z : Special products

L : Standard Lead Free products

1 ~ 9 : Special Lead Free products

Appendix code 2 :

Code	Inner package	Inner package Q'TY	Remark
A	Bag	200 pcs	BD0304
		200 pcs	BD0305
		200 pcs	BD0306
		200 pcs	BD0309
		200 pcs	BD0907
B	T / B ( T52 Box package )	1000 pcs	BD0305
	T / B ( Box ammo package )	1500 pcs	BD0306
		1000 pcs	BD0309
		2000 pcs	BD0907
C	T / R ( T52 Reel package )	5000 pcs	BD0304
		5000 pcs	BD0305
		5000 pcs	BD0306
		5000 pcs	BD0309
		EMPTY	BD0907

AE-001A



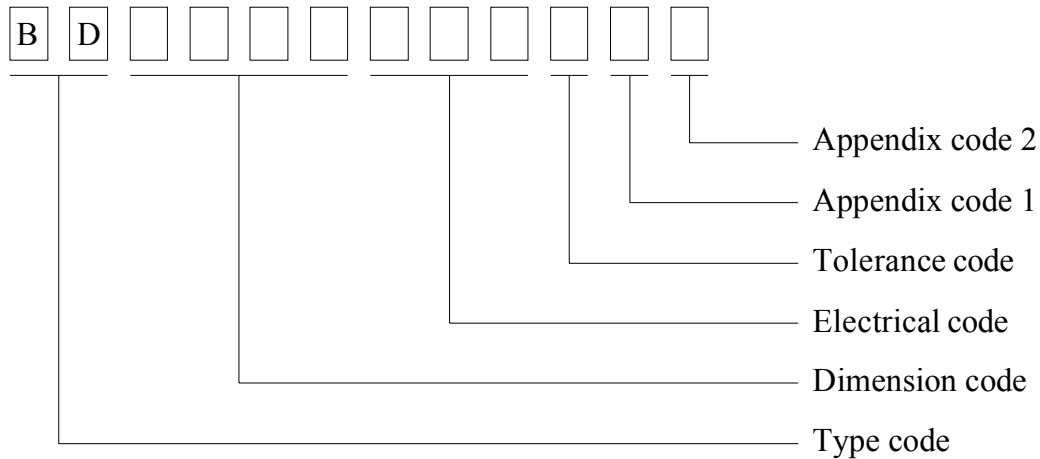
# SPECIFICATION FOR APPROVAL

REF :

PAGE: 7

PROD. NAME	BEAD COIL	ABC'S DWG NO.	BD□□□□□□□□L□
		ABC'S ITEM NO.	

IX . DWG EXPRESSION :



Appendix code 1 : S : Standard products

A~K , M~R , T~Z : Special products

L : Standard Lead Free products

1 ~ 9 : Special Lead Free products

Appendix code 2 :

Code	Inner package	Inner package Q'TY	Remark
D	T / B ( T26 Box package )	1000 pcs	BD0305
		1000 pcs	BD0306
		1000 pcs	BD0309
E	T / R ( T26 Reel package )	5000 pcs	BD0305
		4000 pcs	BD0306
		5000 pcs	BD0309
F	T / B ( Radial Fm )	2000 pcs	BD0305
		2000 pcs	BD0306

AE-001A

